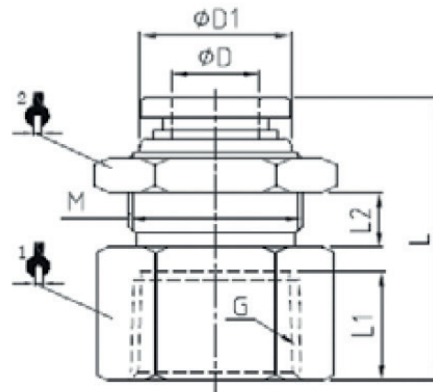





RACCORDS INSTANTANÉS POLYMÈRES

SÉRIE RP61 - TRAVERSÉE DE CLOISON FEMELLE



Réf. Air-techniques	øD	G"	L	L1	L2	øD1			M	
RP611804	4	G1/8	23.5	8.5	5	10	14	14	M12X1	10
RP611404	4	G1/4	26	11	5	10	17	14	M12X1	10
RP611806	6	G1/8	24.8	8.5	7	12	17	17	M14X1	10
RP611406	6	G1/4	29.5	11	7	12	17	17	M14X1	10
RP613806	6	G3/8	30.5	12	7	12	21	17	M14X1	10
RP611206	6	G1/2	33	14	7	12	24	17	M14X1	10
RP611808	8	G1/8	26.5	8.5	9	14	19	19	M16X1	10
RP611408	8	G1/4	32	11	9	14	19	19	M16X1	10
RP613808	8	G3/8	34.3	12	9	14	21	19	M16X1	10
RP611208	8	G1/2	36.5	14	9	14	24	19	M16X1	10
RP611810	10	G1/8	30	8.5	9	17	24	24	M20X1	10
RP611410	10	G1/4	32.5	11	9	17	24	24	M20X1	10
RP613810	10	G3/8	34	12	9	17	24	24	M20X1	10
RP611210	10	G1/2	38	14	9	17	24	24	M20X1	10
RP611412	12	G1/4	34	11	9	20	24	26	M22X1	10
RP613812	12	G3/8	35	12	9	20	24	26	M22X1	10
RP611212	12	G1/2	37	14	9	20	24	26	M22X1	10